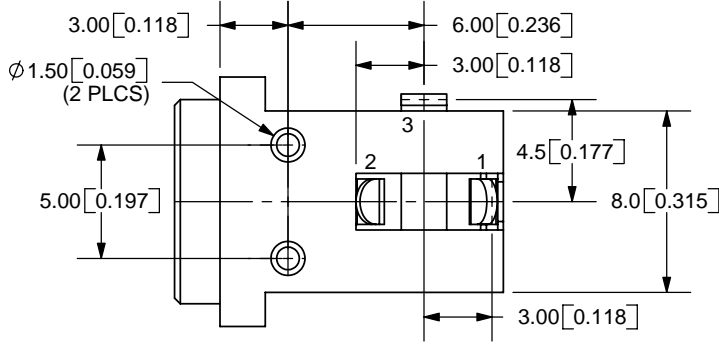
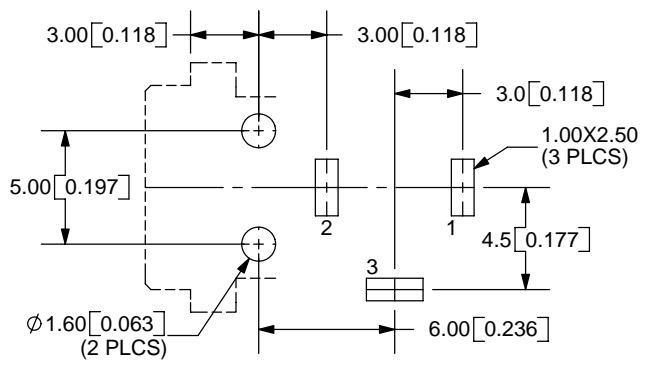
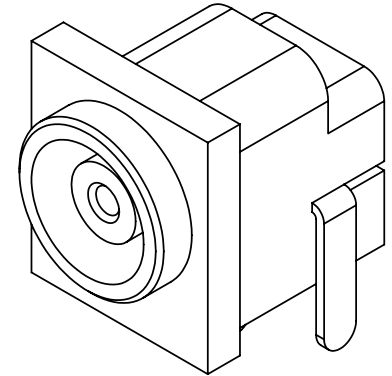
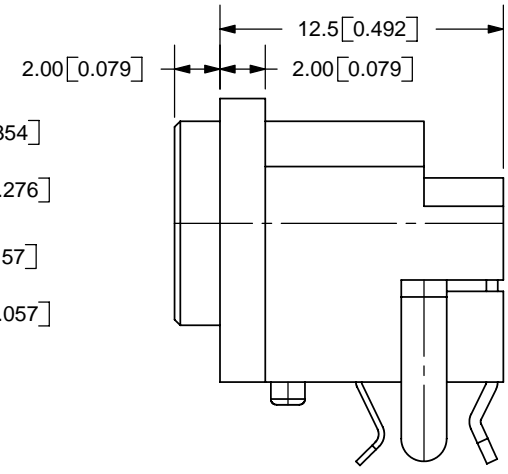
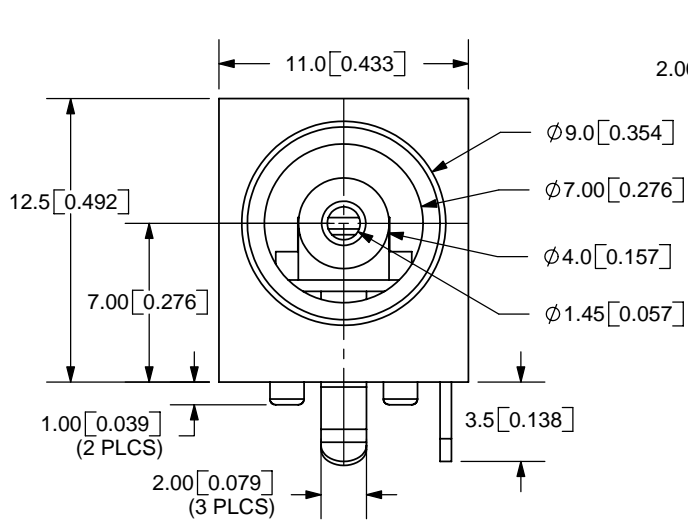


REV.	DESCRIPTION	DATE
A	NEW DRAWING	12/12/2005



TOLERANCE:
X.X ±0.2mm
X.XX ±0.1mm
X.XXX ±0.05mm



PCB LAYOUT
TOP VIEW

MODEL NO.	PJ-025
SCHEMATIC	

SPECIFICATIONS:
RATING: 24V DC @ 3A
CONTACT RESISTANCE: 30m OHMS MAX
INSULATION RESISTANCE: 50M OHMS MIN: 500V DC
VOLTAGE WITHSTAND: 500V AC R.M.S. FOR 1 MINUTE
LIFE: 5,000 CYCLES



9615 SW Allen Blvd., Ste. 103
Beaverton, OR 97005
Phone: 503-643-4899
800-275-4899
Fax: 503-372-1266
Website: www.cui.com

TERMINAL	MATERIAL	PLATING	TITLE	REV:
TERMINAL 1	Brass	Tin	DC POWER SOCKET	A
TERMINAL 2	Copper Alloy	Tin	PART NO. PJ-025	UNITS: MM [INCHES]
TERMINAL 3	Brass	Tin		
HOUSING	PBT		DRAWN BY: ZRJ	APPROVED BY:
				SCALE: 3:1

PC FILE NAME:
PJ-025

COPYRIGHT 2006 BY CUI INC.